

# Mini5C+ Standard Package

www.FiberFox.co.kr

# Mini 5C+

Core Alignment Splicer



- 1 MINI 5C+ Splicer
- 2 Cleaver Softcase
- 3 MINI 50GB+ Cleaver
- 4 Power Cord
- 5 Data Cable
- 6 AC Adapter
- 7 Car Cigar Cable
- 8 Cooling Tray
- 9 Spare Electrode
- 10 SOC Heater Block
- 11 SOC Holder
- 12 2 Battery Packs
- 13 Shoulder Strap
- 14 User Manual CD
- 15 USB Cable
- 16 Hand Carrying Case

## Specifications

Splicing	Method	Core Alignment (DCID: Digitalized Core Image Detecting system)	
	Loss	SM(0.02dB) / MM(0.01dB) / DS(0.04dB) / NZDS(0.04dB) RL : >>60dB	
	Time	<b>Quick: 6 Sec. / SM Auto: 8 Sec.</b>	
	Mode	145 modes (Pre-set: 17 / User set-up: 128)	
Applicable Fiber (Cable)	Fiber Type	SM (ITU-T G.652 & G.657) MM (ITU-T G.651) DS (ITU-T G.653) NZDS (ITU-T G.655)	
	Coating Diameter	100-3,000um	
	Cladding Diameter	80-150um	
	Cleaved Length	<250Um Coating : 5-16mm >250Um Coating : 8-16mm	
Heating	Time	<b>Ave. 10 Sec.</b>	
	Mode	36 modes (Pre-set: 4 / User set-up: 32)	
Hardware	Applicable Sleeve	20 ~ 60mm	
	Connectivity (link to PC)	USB(5Pin Mini-B)	
	Electrode Life span	>5,500 arcs	
	Data Storage	Splice record : 10,000 / Image : 2,000	
	Fiber detecting	Dual CCD camera with LED emitting system	
	Illumination	LED Spot light	
	Display	Color 4.3" LCD monitor, with Touch Screen (Tempered Glass)	
	Battery		Li-ion 11.1V 5200mAh
			<b>300 cycles (Splicing &amp; Heating)</b> Storage Temperature : -20~40 °C
	Power Supply	AC 100-240V input or DC 12.6V 1.8A	
	Fiber Display (Magnification)		X/Y (Single image): 320x
			X&Y (Dual image): 160x
	Weight	1.4kg (with battery : 1.8kg)	
	Size	124 x 123 x 138mm (L x W x H)	
Reliability	Wind Protection	Wind speed: 15m/s (max)	
	Operating Environment	Altitude: 0-5,000m Temperature: -10~50 °C Humidity: 0-95%RH	
	Storage Condition	Temperature: -20 to 60 °C Humidity: 0-95%RH	
	Pull Test	1.96~2.25N(standard)	



## Core Alignment Splicer





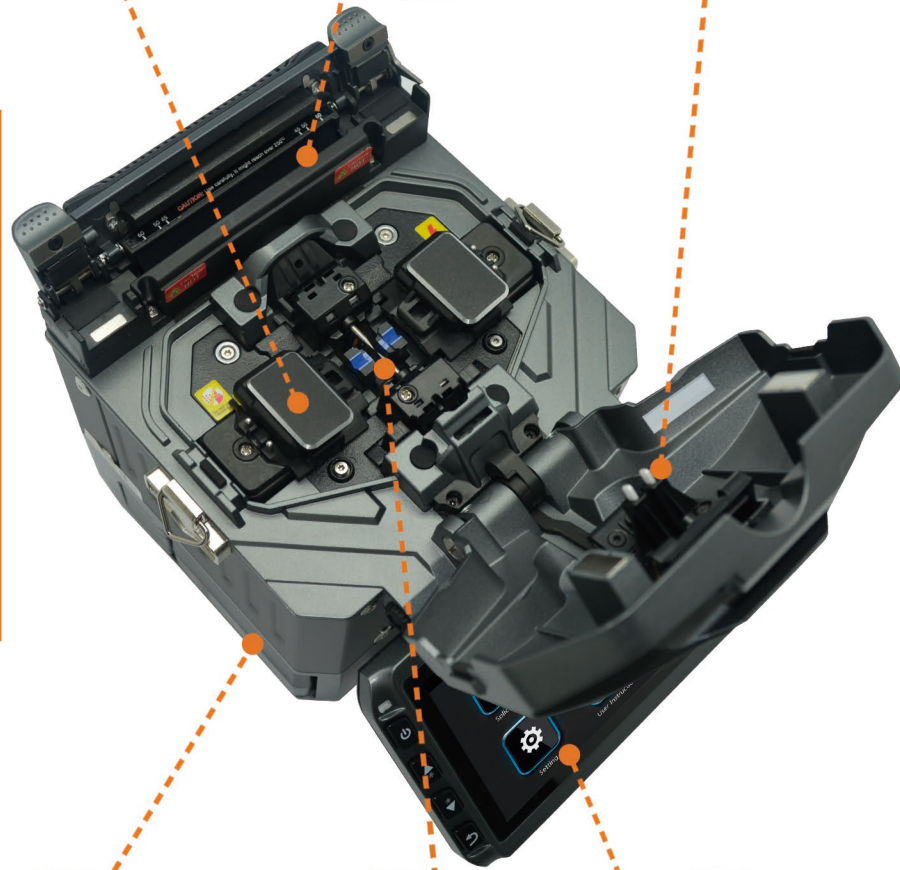
# Characteristic



SOC Compatible

Fast Heating Time  
10 sec

LED Injection

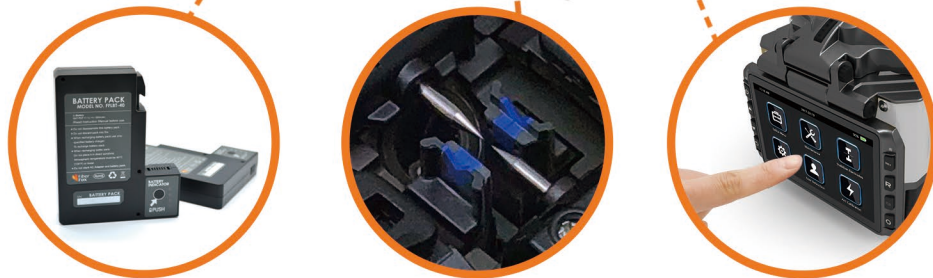


# Mini 5C+

1.4kg

(with Battery 1.8kg)

124 x 123 x 138 mm



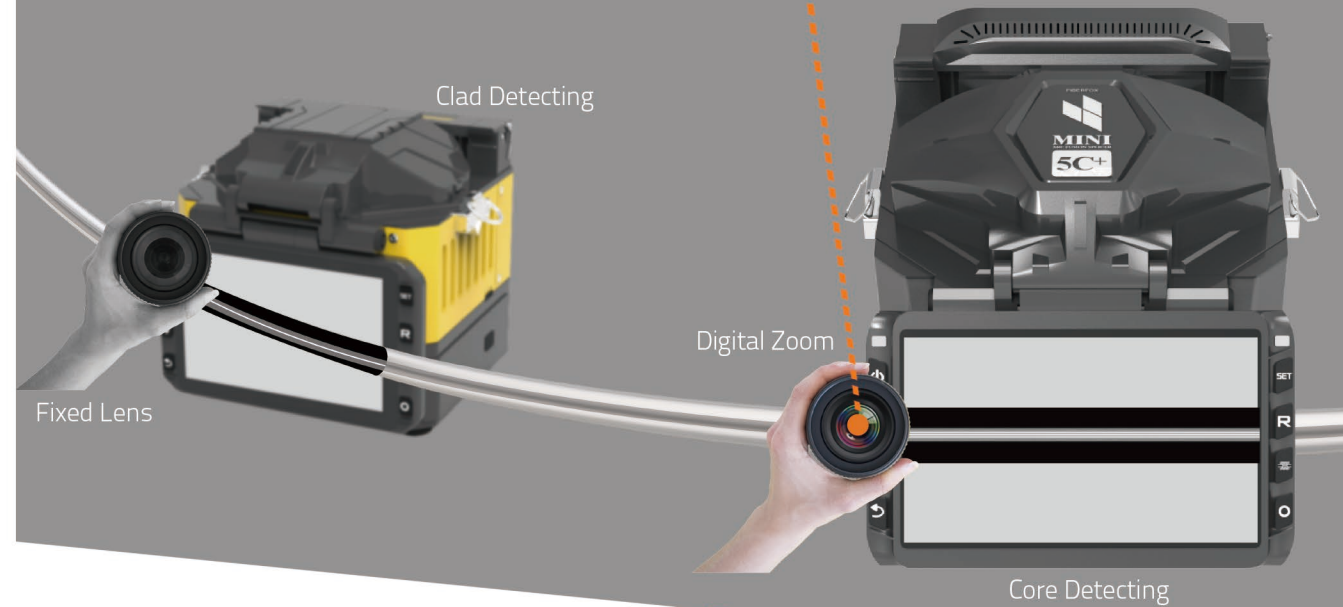
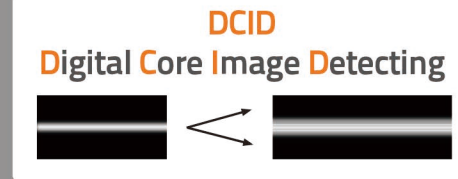
Two Batteries are Included  
- 600 cycles (splicing & heating) with Two Batteries

Splice Time : 6 sec  
Electrode Lifespan : 5,500 arcs

Full Touch Screen  
- GUI Interface  
- Tempered Glass

# 01

## Technical Detail



# 02

## Durability

1meter



Anti-shock



Dustproof

Waterproof



# 03

## Reliability

Perfect performance  
under any environmental conditions



Temperature  
-15~60°C



Relative humidity  
0~95%



Elevation  
0~5000meter



The max wind  
speed 15m/s

Compliant with IEC Standard