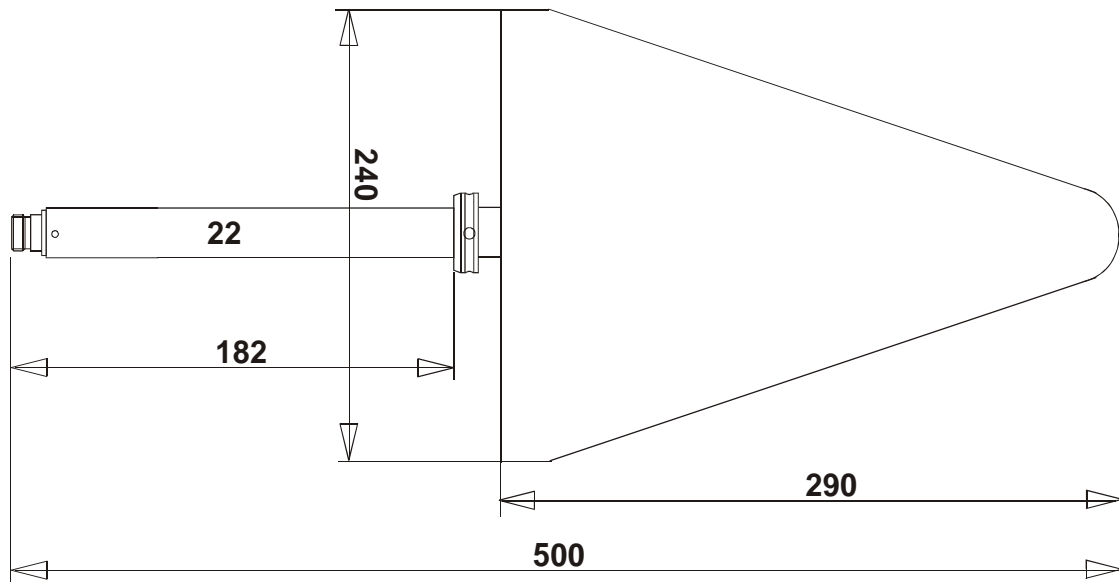


SCHWARZBECK MESS - ELEKTRONIK

An der Klinge 29 D-69250 Schönau Tel.: 06228/1001 Fax.: (49)6228/1003

Mikrowellen Log. - Per. Antenne ESLP 9145 *Microwave Log.-Per. Antenna ESLP 9145*



Technische Daten:

Linear polarisierte
Mikrowellen-Log.-Per.
Breitbandantenne mit
abnehmbaren
Kunststoffgehäuse.
Nenn-Frequenzbereich: 1 - 18 GHz
Nutzbarer Frequenzbereich: 0.7 - 20 GHz
Anschluß: Buchse 50 W N
Option: 50 W SMA
Befestigungsrohr: $f=22\text{ mm}$, $L=185\text{ mm}$
Isotropgewinn: typ. 6 dBi +/- 1.2 dB
Antennenwandlungsmaß: 22 ... 50 dB/m
SWR typ.: < 2
Max. Eingangsleistung: 20 W
Halbwertsbreite E-Ebene: 55 ° (70° - 40°)
Halbwertsbreite H-Ebene: 85 ° (130° - 65°)

Abmessungen: 500 x 240 x 40 mm
Gewicht: 900 g

Specifications:

*Linear polarised microwave Log.-
Per. broadband antenna with
removable plastic protection
cover.*

Nominal Frequency range:

Useable Frequency range:

Connector: female

Optional connector:

Mounting tube:

Isotropic gain:

Antenna Factor:

SWR typ.:

Max. Input Power:

Half-Power Beamwidth (E-plane):

Half-Power Beamwidth (H-plane):

Dimensions:

Weight:

SCHWARZBECK MESS - ELEKTRONIK

An der Klinge 29 D-69250 Schönau Tel.: 06228/1001 Fax.: (49)6228/1003

Mikrowellen Log. - Per. Antenne ESLP 9145 Microwave Log.-Per. Antenna ESLP 9145

Frequency	Distance	Wavelength	Attenuation	Gain(Isotr.)	Gain(Dipole)	Ant.-Factor
Frequenz	Abstand	Wellenlänge	Dämpfung	Isotropgewinn	Gewinn über Dipol	Ant.-Wandlungsmaß
MHz	m	m	dB	dBi	dBd	dB/m
700.00	2.23	0.429	31.02	2.64	0.49	24.48
750.00	2.23	0.400	28.88	4.01	1.86	23.71
800.00	2.23	0.375	27.33	5.07	2.92	23.21
850.00	2.20	0.353	26.07	5.91	3.76	22.90
900.00	2.18	0.333	25.76	6.26	4.11	23.04
950.00	2.16	0.316	25.83	6.42	4.27	23.35
1000.00	2.14	0.300	26.07	6.48	4.33	23.74
1050.00	2.12	0.286	26.14	6.62	4.47	24.02
1100.00	2.10	0.273	26.52	6.60	4.45	24.44
1150.00	2.09	0.261	26.84	6.61	4.46	24.83
1200.00	2.07	0.250	27.04	6.66	4.51	25.14
1250.00	2.06	0.240	27.34	6.66	4.51	25.49
1300.00	2.05	0.231	27.87	6.54	4.39	25.95
1350.00	2.04	0.222	28.29	6.48	4.32	26.35
1400.00	2.03	0.214	28.73	6.39	4.24	26.75
1450.00	2.02	0.207	29.19	6.29	4.14	27.15
1500.00	2.01	0.200	29.37	6.33	4.18	27.41
1550.00	2.00	0.194	29.50	6.39	4.24	27.63
1600.00	2.00	0.188	29.73	6.40	4.25	27.90
1650.00	1.99	0.182	29.93	6.42	4.27	28.15
1700.00	1.98	0.176	30.35	6.32	4.17	28.51
1750.00	1.98	0.171	30.79	6.21	4.06	28.87
1800.00	1.97	0.167	30.75	6.35	4.20	28.98
1850.00	1.96	0.162	30.65	6.50	4.35	29.06
1900.00	1.96	0.158	30.62	6.62	4.47	29.18
1950.00	1.95	0.154	30.78	6.64	4.49	29.38
2000.00	1.95	0.150	31.03	6.62	4.46	29.63
2100.00	1.94	0.143	31.96	6.34	4.19	30.32
2200.00	1.93	0.136	32.15	6.43	4.28	30.64
2300.00	1.93	0.130	31.93	6.72	4.57	30.74
2400.00	1.92	0.125	32.09	6.81	4.66	31.02
2500.00	1.91	0.120	32.69	6.67	4.52	31.51
2600.00	1.91	0.115	33.28	6.53	4.38	31.98
2700.00	1.90	0.111	33.43	6.61	4.46	32.24
2800.00	1.90	0.107	33.41	6.77	4.62	32.40
2900.00	1.89	0.103	33.54	6.84	4.69	32.62
3000.00	1.89	0.100	33.75	6.87	4.72	32.89
3100.00	1.88	0.097	33.94	6.91	4.76	33.14
3200.00	1.88	0.094	33.94	7.04	4.89	33.28
3300.00	1.88	0.091	33.93	7.17	5.02	33.42
3400.00	1.87	0.088	34.49	7.02	4.86	33.83
3500.00	1.87	0.086	35.16	6.80	4.65	34.30
3600.00	1.87	0.083	35.26	6.87	4.71	34.48
3700.00	1.86	0.081	35.41	6.90	4.75	34.68
3800.00	1.86	0.079	35.43	7.00	4.85	34.82
3900.00	1.86	0.077	35.45	7.10	4.95	34.94
MHz	m	m	dB	dBi	dBd	dB/m

SCHWARZBECK MESS - ELEKTRONIK

An der Klinge 29 D-69250 Schönau Tel.: 06228/1001 Fax.: (49)6228/1003

Mikrowellen Log. - Per. Antenne ESLP 9145 *Microwave Log.-Per. Antenna ESLP 9145*

Frequency	Distance	Wavelength	Attenuation	Gain(Isotr.)	Gain(Dipole)	Ant.-Factor
Frequenz	Abstand	Wellenlänge	Dämpfung	Isotropgewinn	Gewinn über Dipol	Ant.-Wandlungsmaß
MHz	m	m	dB	dBi	dBd	dB/m
4000.00	1.86	0.075	35.58	7.14	4.99	35.12
4100.00	1.85	0.073	35.72	7.17	5.02	35.30
4200.00	1.85	0.071	36.07	7.09	4.94	35.59
4300.00	1.85	0.070	36.57	6.94	4.79	35.95
4400.00	1.85	0.068	37.12	6.76	4.61	36.33
4500.00	1.85	0.067	37.84	6.49	4.34	36.79
4600.00	1.84	0.065	38.13	6.44	4.29	37.03
4700.00	1.84	0.064	37.77	6.71	4.56	36.95
4800.00	1.84	0.063	37.50	6.93	4.78	36.91
4900.00	1.84	0.061	37.34	7.10	4.95	36.93
5000.00	1.84	0.060	37.53	7.09	4.94	37.11
5200.00	1.83	0.058	37.96	7.04	4.89	37.50
5400.00	1.83	0.056	38.66	6.84	4.69	38.03
5600.00	1.83	0.054	38.68	6.99	4.84	38.20
5800.00	1.83	0.052	38.79	7.08	4.93	38.41
6000.00	1.82	0.050	39.29	6.97	4.82	38.81
6200.00	1.82	0.048	39.56	6.97	4.82	39.10
6400.00	1.82	0.047	39.92	6.93	4.78	39.42
6600.00	1.82	0.045	40.09	6.97	4.82	39.64
6800.00	1.82	0.044	40.61	6.83	4.68	40.04
7000.00	1.82	0.043	41.13	6.70	4.55	40.43
7200.00	1.81	0.042	41.87	6.45	4.29	40.92
7400.00	1.81	0.041	42.41	6.29	4.14	41.31
7600.00	1.81	0.039	41.95	6.64	4.49	41.20
7800.00	1.81	0.038	42.13	6.65	4.50	41.41
8000.00	1.81	0.038	42.19	6.73	4.58	41.55
8200.00	1.81	0.037	42.31	6.78	4.63	41.72
8400.00	1.81	0.036	42.13	6.97	4.82	41.74
8600.00	1.81	0.035	42.65	6.81	4.66	42.10
8800.00	1.81	0.034	43.46	6.50	4.35	42.61
9000.00	1.80	0.033	44.35	6.15	4.00	43.15
9200.00	1.80	0.033	45.36	5.74	3.59	43.76
9400.00	1.80	0.032	45.70	5.66	3.51	44.02
9600.00	1.80	0.031	45.73	5.74	3.58	44.13
9800.00	1.80	0.031	45.77	5.80	3.65	44.24
10000.00	1.80	0.030	44.97	6.29	4.14	43.93
10200.00	1.80	0.029	43.80	6.96	4.81	43.43
10400.00	1.80	0.029	43.97	6.96	4.80	43.60
10600.00	1.80	0.028	44.18	6.93	4.78	43.80
10800.00	1.80	0.028	44.66	6.77	4.62	44.12
11000.00	1.80	0.027	45.97	6.19	4.04	44.85
11200.00	1.80	0.027	46.57	5.97	3.82	45.23
11400.00	1.80	0.026	47.27	5.70	3.55	45.66
11600.00	1.79	0.026	47.52	5.65	3.50	45.86
11800.00	1.79	0.025	47.16	5.90	3.75	45.76
MHz	m	m	dB	dBi	dBd	dB/m

SCHWARZBECK MESS - ELEKTRONIK

An der Klinge 29 D-69250 Schönau Tel.: 06228/1001 Fax.: (49)6228/1003

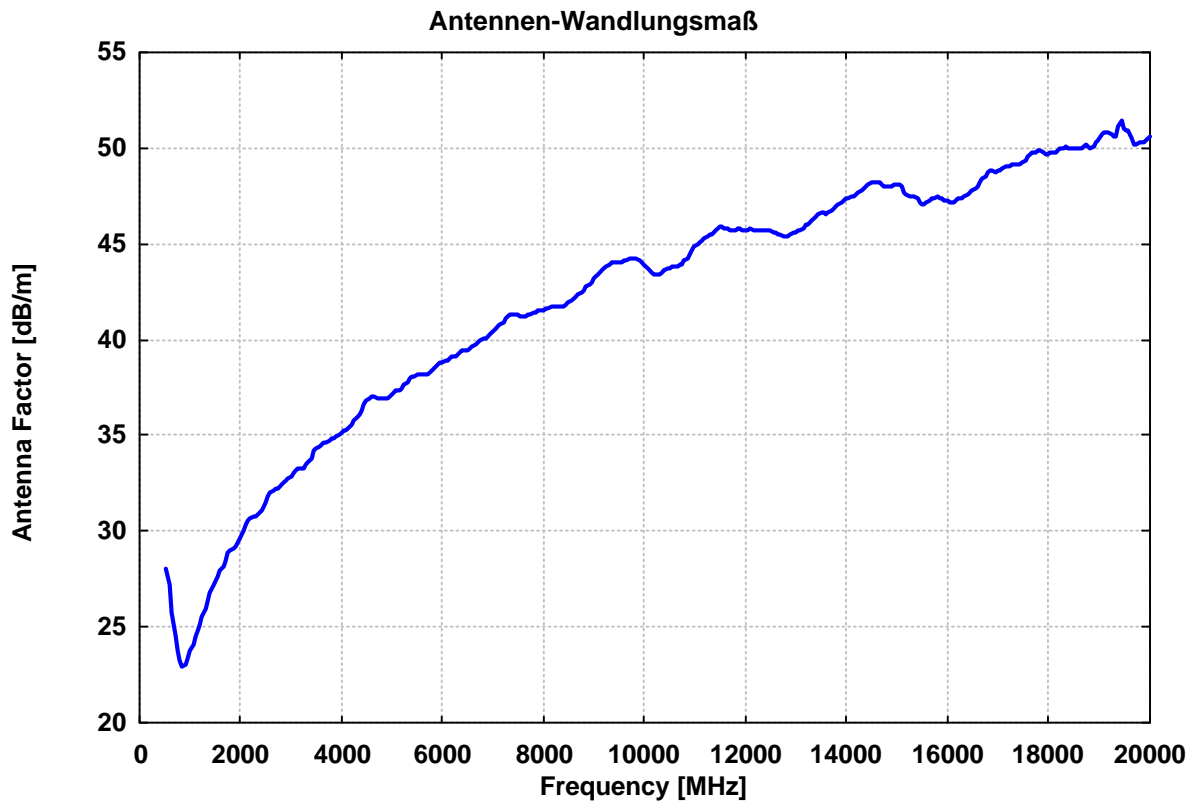
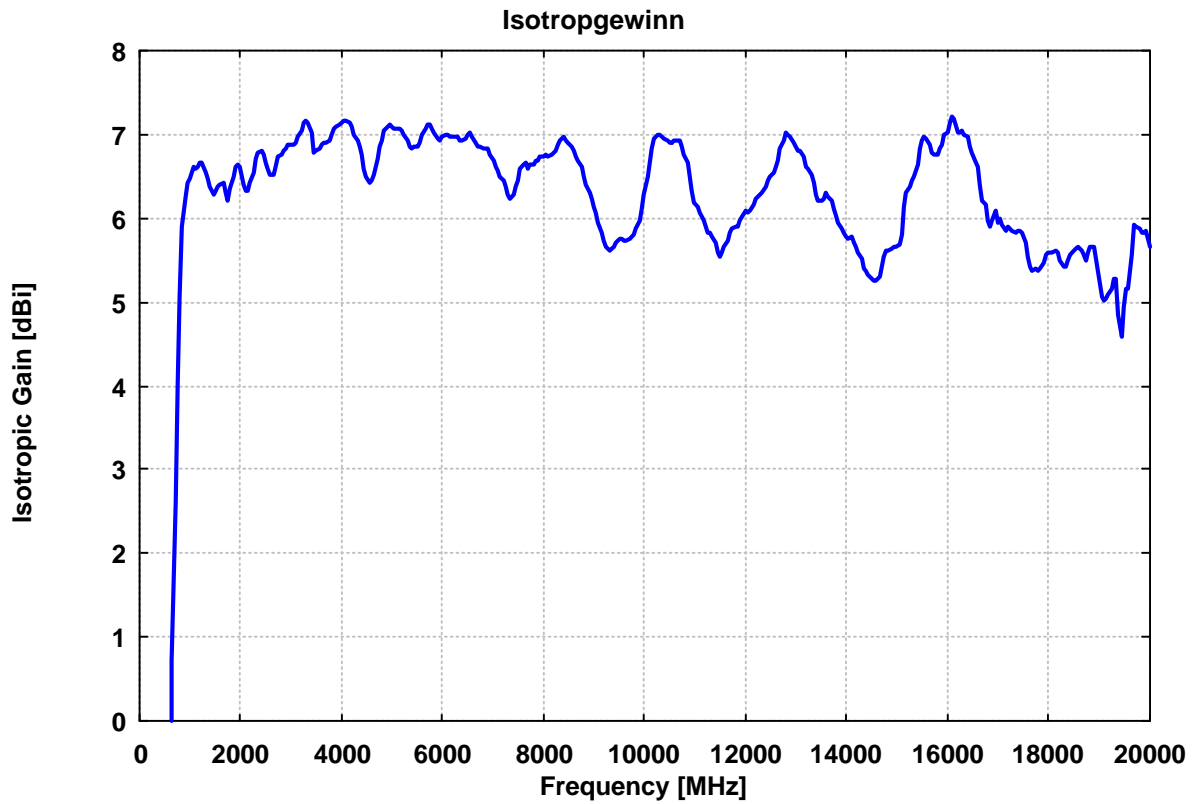
Mikrowellen Log. - Per. Antenne ESLP 9145 *Microwave Log.-Per. Antenna ESLP 9145*

Frequency	Distance	Wavelength	Attenuation	Gain(Isotr.)	Gain(Dipole)	Ant.-Factor
Frequenz	Abstand	Wellenlänge	Dämpfung	Isotropgewinn	Gewinn über Dipol	Ant.-Wandlungsmaß
MHz	m	m	dB	dBi	dBd	dB/m
12000.00	1.79	0.025	46.92	6.09	3.94	45.71
12200.00	1.79	0.025	46.78	6.23	4.08	45.71
12400.00	1.79	0.024	46.63	6.38	4.23	45.71
12600.00	1.79	0.024	46.26	6.63	4.48	45.60
12800.00	1.79	0.023	45.62	7.02	4.86	45.35
13000.00	1.79	0.023	46.06	6.86	4.71	45.64
13200.00	1.79	0.023	46.65	6.63	4.48	46.00
13400.00	1.79	0.022	47.47	6.28	4.13	46.48
13600.00	1.79	0.022	47.57	6.30	4.15	46.59
13800.00	1.79	0.022	48.20	6.05	3.90	46.97
14000.00	1.79	0.021	48.83	5.79	3.64	47.35
14200.00	1.79	0.021	49.21	5.66	3.51	47.60
14400.00	1.79	0.021	49.91	5.38	3.22	48.01
14600.00	1.79	0.021	50.27	5.25	3.10	48.25
14800.00	1.79	0.020	49.66	5.62	3.46	48.01
15000.00	1.79	0.020	49.71	5.65	3.50	48.09
15200.00	1.79	0.020	48.53	6.30	4.15	47.56
15400.00	1.79	0.019	47.96	6.64	4.49	47.33
15600.00	1.79	0.019	47.44	6.95	4.80	47.13
15800.00	1.79	0.019	47.92	6.77	4.62	47.43
16000.00	1.79	0.019	47.52	7.02	4.87	47.28
16200.00	1.79	0.019	47.60	7.03	4.88	47.38
16400.00	1.79	0.018	47.81	6.98	4.83	47.54
16600.00	1.79	0.018	48.67	6.61	4.46	48.02
16800.00	1.78	0.018	50.03	5.98	3.83	48.75
17000.00	1.78	0.018	50.19	5.95	3.80	48.88
17200.00	1.78	0.017	50.39	5.89	3.74	49.04
17400.00	1.78	0.017	50.58	5.85	3.70	49.18
17600.00	1.78	0.017	51.30	5.54	3.39	49.59
17800.00	1.78	0.017	51.73	5.37	3.22	49.86
18000.00	1.78	0.017	51.38	5.60	3.45	49.73
18500.00	1.78	0.016	51.59	5.61	3.46	49.95
19000.00	1.78	0.016	52.30	5.37	3.22	50.43
19500.00	1.78	0.015	53.38	4.94	2.79	51.08
20000.00	1.78	0.015	52.16	5.66	3.51	50.58
MHz	m	m	dB	dBi	dBd	dB/m

SCHWARZBECK MESS - ELEKTRONIK

An der Klinge 29 D-69250 Schönau Tel.: 06228/1001 Fax.: (49)6228/1003

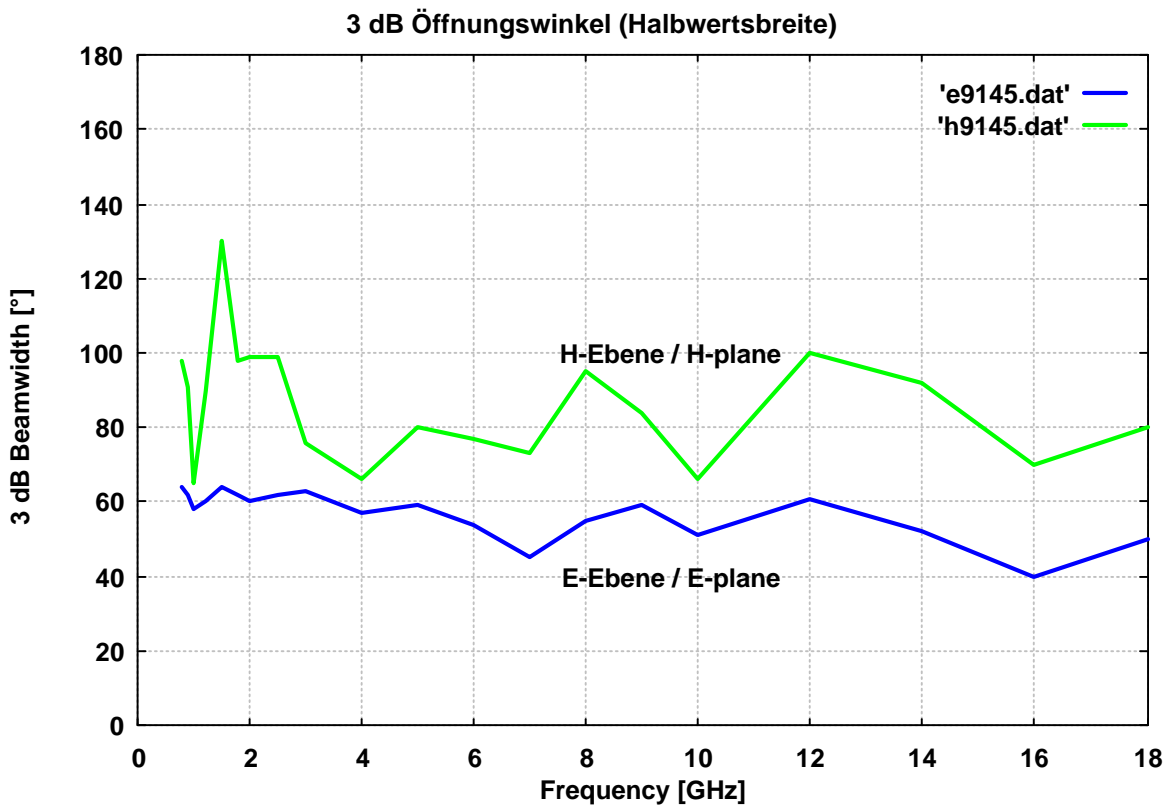
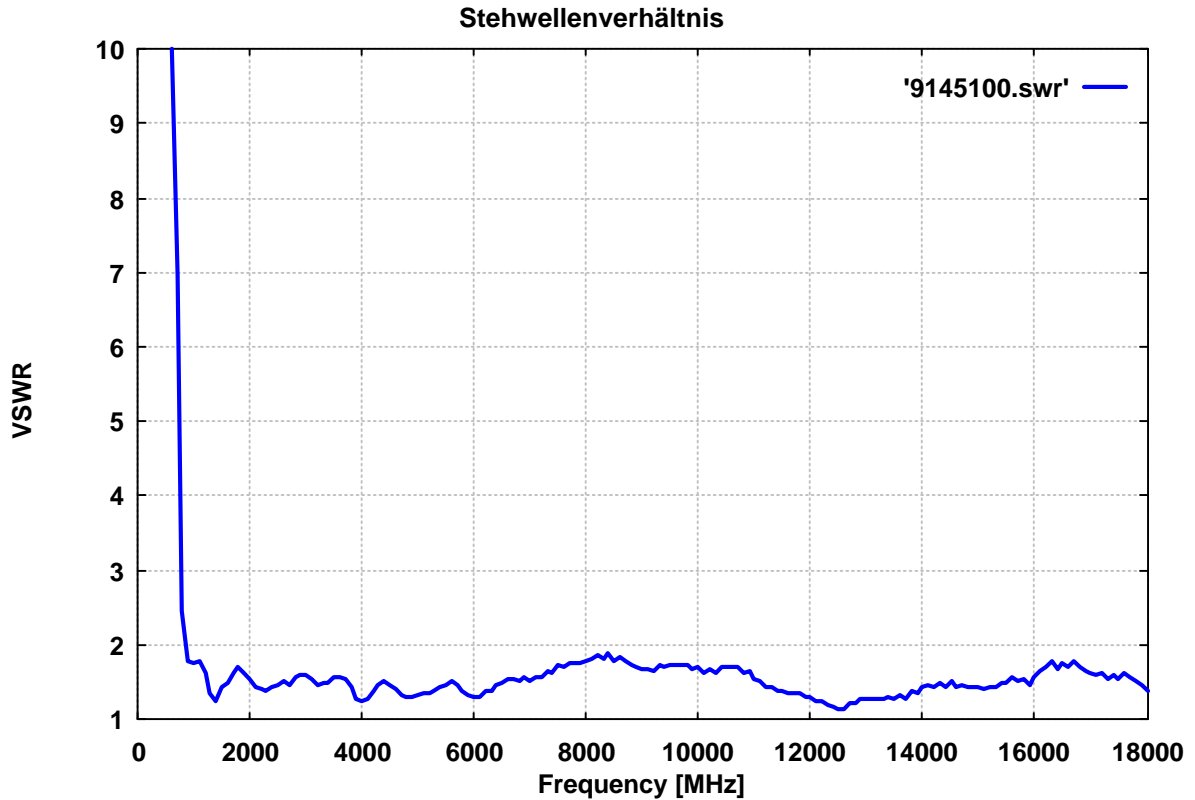
Mikrowellen Log. - Per. Antenne ESLP 9145 *Microwave Log.-Per. Antenna ESLP 9145*



SCHWARZBECK MESS - ELEKTRONIK

An der Klinge 29 D-69250 Schönau Tel.: 06228/1001 Fax.: (49)6228/1003

Mikrowellen Log. - Per. Antenne ESLP 9145 *Microwave Log.-Per. Antenna ESLP 9145*

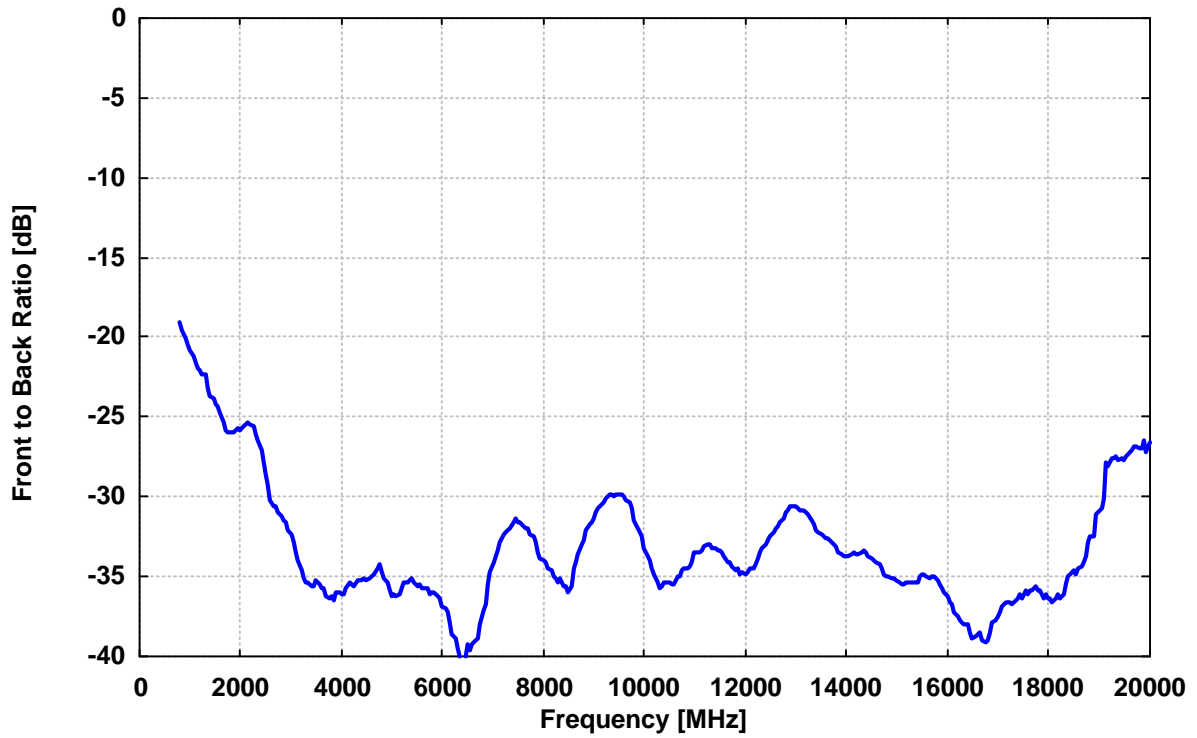


SCHWARZBECK MESS - ELEKTRONIK

An der Klinge 29 D-69250 Schönau Tel.: 06228/1001 Fax.: (49)6228/1003

Mikrowellen Log. - Per. Antenne ESLP 9145 *Microwave Log.-Per. Antenna ESLP 9145*

Vor- Rückmaß
ESLP 9145



Kreuzpolarisationsunterdrückung
ESLP 9145

